



ENERGYMATTERS

WS3 - Industrial heat pumps, the next phase

Heat recovery in steam systems



Ir. Jan Martin Grift re

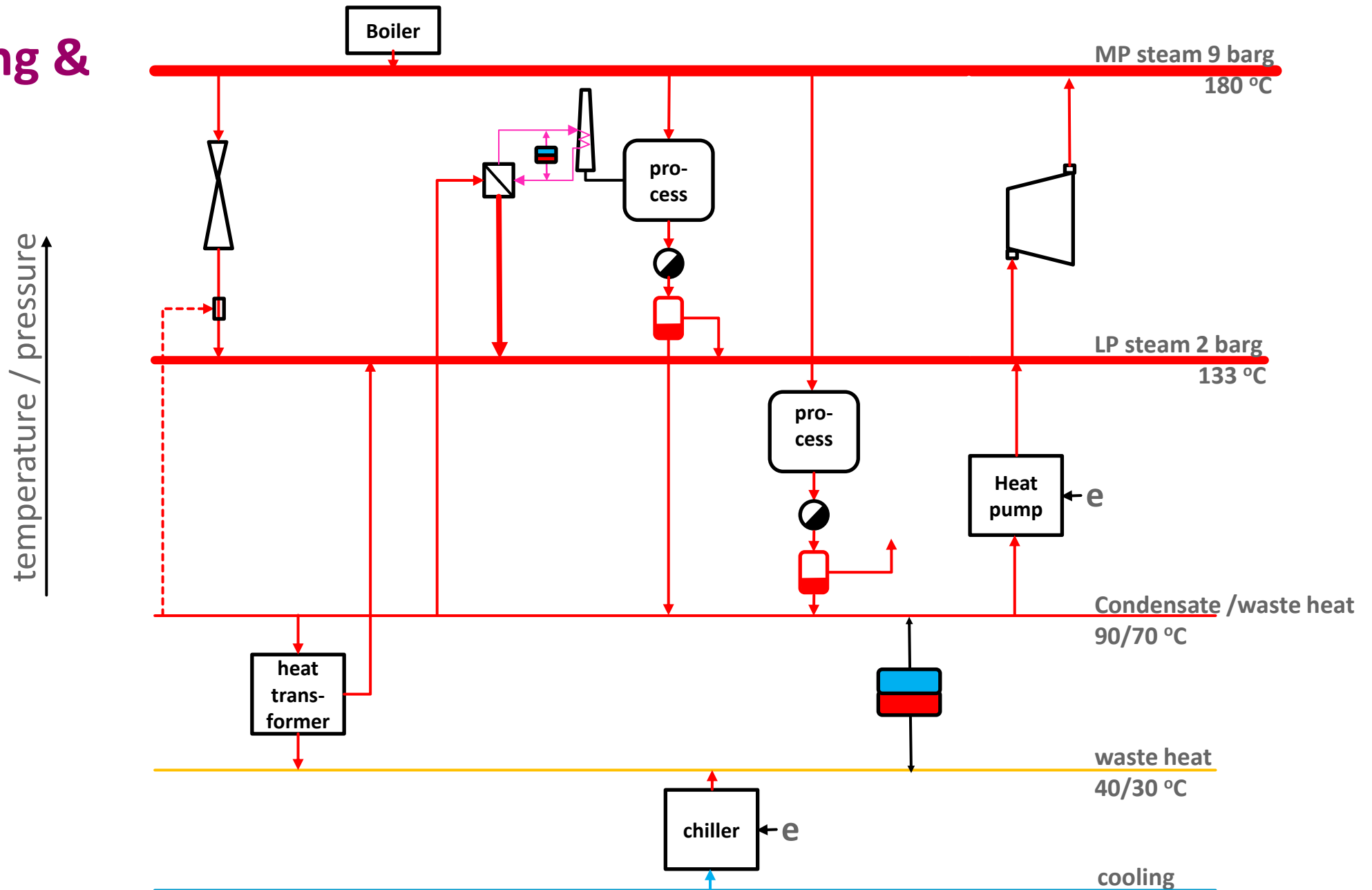
www.energymatters.nl

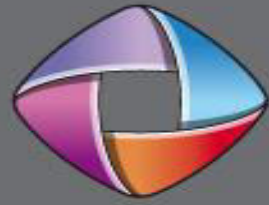
Introduction



- Ir. Jan Grift re
- Thermal engineer – process integration
- Energy Matters : consultancy for energy supply & sustainability
- paper 058 K.3.3.1 Flexible heat supply and sustainability
Wednesday, May 17, 2017 8.30
- poster 059 : Pinch base method for heat pumps and vapour recompression

Cascading & storage





ENERGYMATTERS

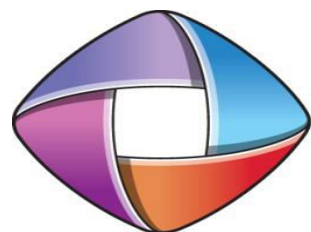
question for the audience and the panel :



ENERGYMATTERS

Question

- Do you agree cheap, standardised vapour recompression units are good alternatives for high temperature heat pumps above 130 °C?



ENERGYMATTERS

CONSULTANTS FOR ENERGY SOLUTIONS

Thanks for your attention



- Energy Matters
- Jan Grift
- jan.grift@energymatters.nl
- www.energymatters.nl
- 030 691 1844